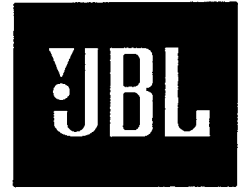


TLX121



SPECIFICATIONS

ACOUSTIC & ELECTRICAL SPECIFICATIONS:

- * Nominal Impedance: 8 ohm
- * Recommended Amp Power: 10-100W
- * Frequency Response: 65 Hz - 20 kHz (-6dB)
- * Sensitivity: 88 dB / 2,83V / 1 m
- * Crossover frequency: 4 kHz

SYSTEM COMPONENTS:

- * Cabinet: CTLX121 (Not for sale)
- * Grille: GTLX121 (2407740)
- * Woofer: A0906A 170mm Woofer
Polymer laminate cone

SYSTEM COMPONENTS: (cont'd)

- * Tweeter: TW010MR 10mm
Titanium Dome Tweeter
- * Crossover Network: NTLX121 (2707740)

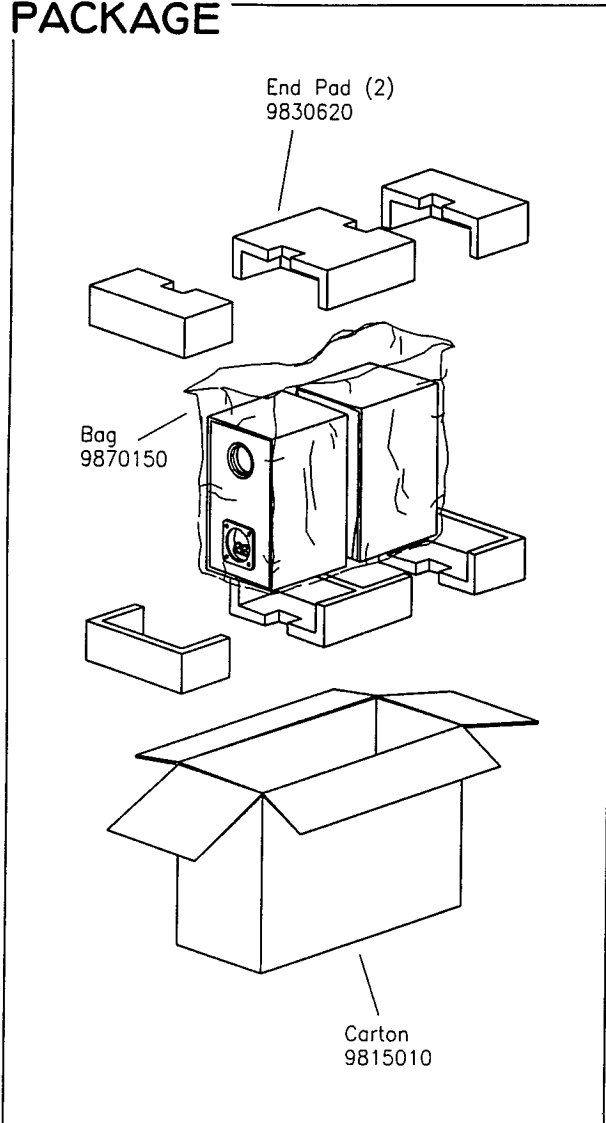
PHYSICAL SPECIFICATIONS:

- * Enclosure Dimensions (H.W.D): 13,8x7,8x9,6 In. D
(350x200x245mm D)
- * Shipping Weight: 24 lbs. (11 kg.)

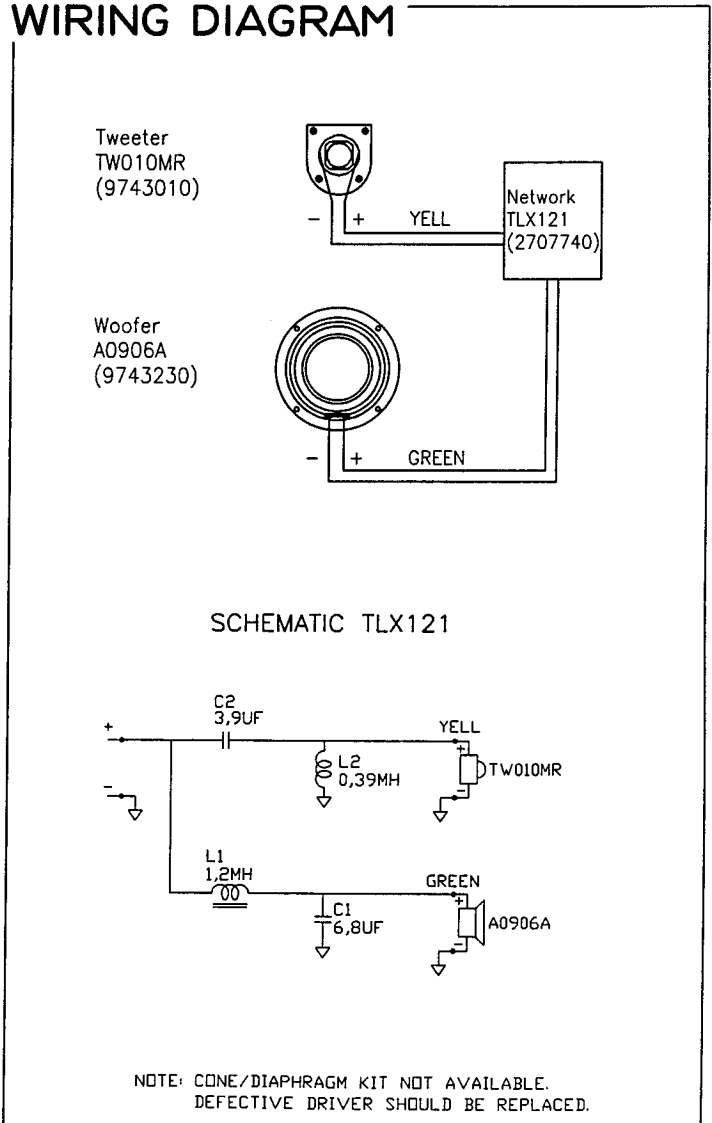
WARRANTY INFORMATION:

- * Refer to the Warranty Statement packed with each product

PACKAGE



WIRING DIAGRAM



TLX121

Valid from serial no. 20251
Rev 19/8-1996

TLX121

COMPONENT EXPLODED VIEW

